

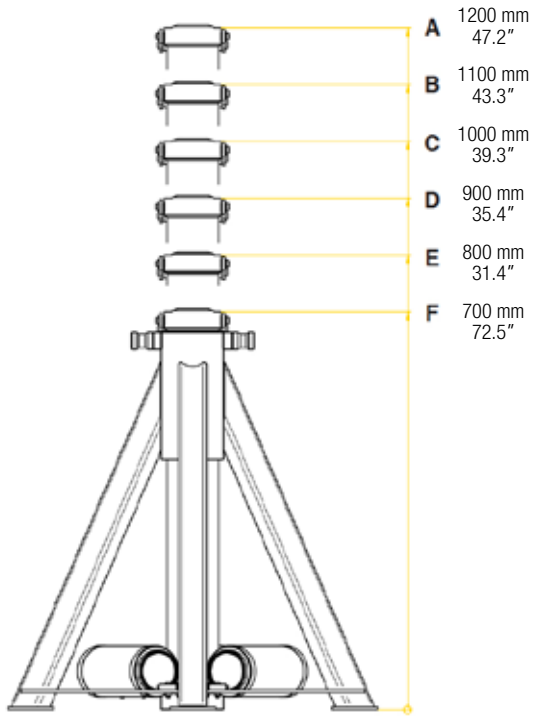
MXM 20-120-ASNZ MANUAL JACK STAND

MXM 20-120-ASNZ

Light, powerful, and easily adjustable. This jack stand is perfect to sustain up to 20 metric tons (AS-NZ standard compliant) after the lifting operation. It allows to work safely and efficiently. The jack stand can be easily adjusted without air or electric power in six height positions.

TECHNICAL DATA

	MXA 50-100-ASNZ
Capacity	20 t / 22 ton
Net weight	50 kg / 110 lb
Min. height	700 mm / 27.5"
Max. height	1200 mm / 47.2"
Positions	6
Air requirement	None





MXM 20-120-ASNZ

MANUAL JACK STAND

