

MXA 50-100-ASNZ

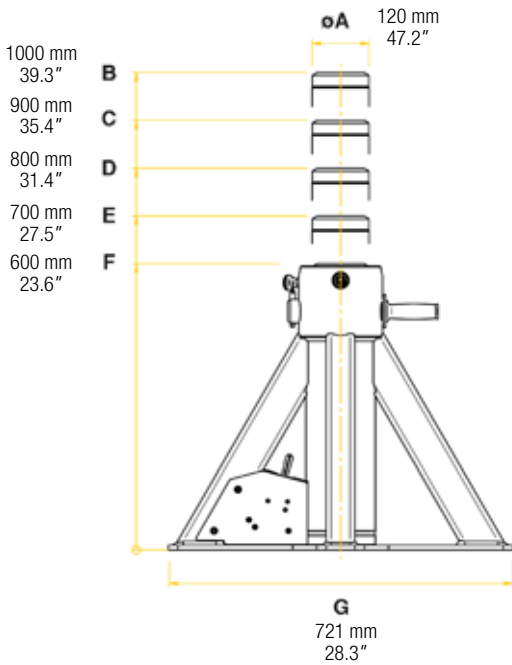
PNEUMATIC JACK STAND

MXA 50-100-ASNZ

Light, powerful, pneumatic assisted operation with minimal effort. This jack stand can sustain up to 50 metric tons of weight (AS-NZ standard compliant). The pneumatic adjustment of the jack stand height is fast and extremely efficient. Compressed air (4-12 bar range) is required.

TECHNICAL DATA

	MXA 50-100-ASNZ
Capacity	50 t / 55.1 ton
Net weight	115 kg / 253 lb
Min. height	600 mm / 23.6"
Max. height	1000 mm / 39.3"
Positions	6
Air requirement	4-12 bar / 58-174 psi





MXA 50-100-ASNZ

PNEUMATIC JACK STAND

