

SQUARE DRIVE TORQUE WRENCHES

LAS

1.100-72.000 Nm

700 bar

TOOLS

SQUARE DRIVE HYDRAULIC TORQUE WRENCHES



LARZEP advantages

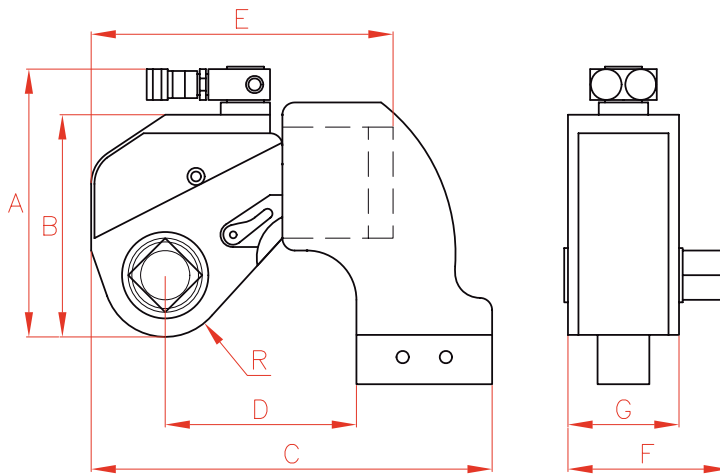
- Designed to tighten and loosen nuts requiring accurate high torque during bolt tightening and maximum torque during bolt loosening.
- Body construction made of Aluminium-Titanium alloy, provides high strength, tenacity, lightness and agility.
- 360° x 180° swivelling oil connection for ease of use.
- Adjustable reaction arm with 60 positions in 360°. Easy positioning that provides the maximum torque at any angle.
- Reaction pawl prevents the backward movement, enhances efficiency and torque accuracy.
- Wide range of heavy-duty impact sockets made of Chromium-Molybdenum alloy steel.
- Pressure/Torque cross table on the body cover for quicker checking of torque value.
- All models include square drive insert LASQ.
- Several models of torque wrench pumps HAT available.

Choose the most suitable model for the application from the wide range available and ensure that it will not exceed 80% of its nominal capacity during normal operation.



Remember that when loosening bolts or nuts a torque value higher than tightening torque is required. Depending on conditions, the loosening torque can reach 2,5 times the tightening torque.





Torque (Nm)		Model	Square Drive	A	B	C	D	E	F	G	R	Weight
Min.	Max.	LARZEP	"	mm	mm	mm	mm	mm	mm	mm	mm	kg
110	1.100	LAS01	3/4"	108	76	139	68	110,8	66	42	20	1,8
180	1.800	LAS02	3/4"	131	96	173,5	85	144,5	72	50	26	2,5
450	4.500	LAS04	1"	176	127	229,0	114	178,0	95	68	34	5,0
750	7.500	LAS07	1 1/2"	199	149	270,5	137	210,5	123	80	39	8,0
1.080	10.700	LAS10	1 1/2"	217	167	293,0	153	222,0	134	90	47	11,0
1.550	15.500	LAS15	1 1/2"	232	182	317,5	154	245,3	142	100	51	15,0
2.660	26.600	LAS26	2 1/2"	270	220	383,5	186	307,5	183	120	59	26,5
3.470	34.700	LAS34	2 1/2"	297	247	401,0	199	323,0	200	137	66	35,0
4.865	48.600	LAS48	2 1/2"	332	282	465,5	241	372,5	216	153	77	50,0
7.200	72.000	LAS72	2 1/2"	341	291	516,0	259	400,0	223	160	81	57,0



Torque Wrench Pumps, HAT.

Page. 103



Couplers.

Page. 108



Twin Hoses AR.

Page. 106

HEAVY-DUTY IMPACT SOCKETS



Hexagon	Thread	Model	Model	Model	Model
mm (A/F)	M	3/4"	1"	1 1/2"	2 1/2"
22	M14	LASS07022	-	-	-
24	M16	LASS07024	-	-	-
27	M18	LASS07027	LASS10027	-	-
30	M20	LASS07030	LASS10030	-	-
32	M22	LASS07032	LASS10032	LASS15032	-
36	M24	LASS07036	LASS10036	LASS15036	-
41	M27	LASS07041	LASS10041	LASS15041	-
46	M30	LASS07046	LASS10046	LASS15046	-
50	M33	LASS07050	LASS10050	LASS15050	-
55	M36	LASS07055	LASS10055	LASS15055	LASS25055
60	M39	-	LASS10060	LASS15060	LASS25060
65	M42	-	LASS10065	LASS15065	LASS25065
70	M45	-	LASS10070	LASS15070	LASS25070
75	M48	-	LASS10075	LASS15075	LASS25075
80	M52	-	LASS10080	LASS15080	LASS25080
85	M56	-	LASS10085	LASS15085	LASS25085
90	M60	-	LASS10090	LASS15090	LASS25090
95	M64	-	LASS10095	LASS15095	LASS25095
100	M68	-	-	LASS15100	LASS25100
105	M72	-	-	LASS15105	LASS25105
110	M76	-	-	LASS15110	LASS25110
115	M80	-	-	LASS15115	LASS25115
120	M85	-	-	LASS15120	LASS25120
130	M90	-	-	LASS15130	LASS25130
135	M95	-	-	LASS15135	LASS25135
145	M100	-	-	LASS15145	LASS25145
150	M105	-	-	LASS15150	LASS25150
155	M110	-	-	-	LASS25155
165	M115	-	-	-	LASS25165
175	M120	-	-	-	LASS25175
180	M125	-	-	-	LASS25180